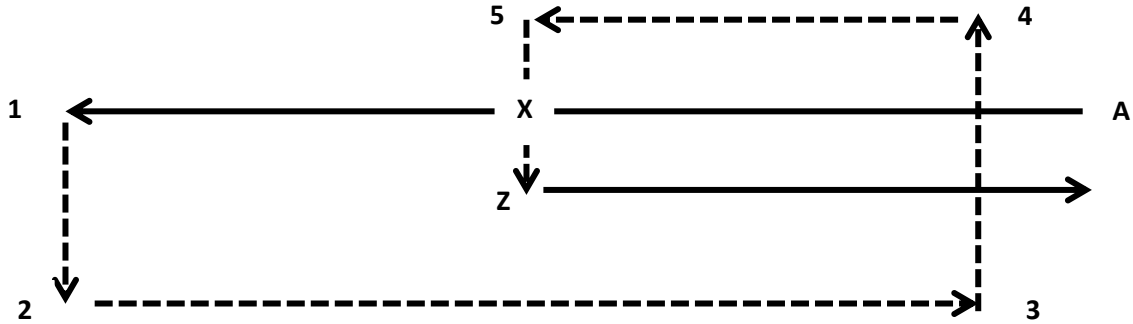


HORSE AND HANDLER – SCORE SHEET

Horse _____ Handler _____

—————→ Solid Line Indicates **WALK**
 - - - - -→ Broken Line Indicates **TROT**



1. Commence Test at A
2. Proceed to X, Halt and show your horse
3. Continue when advised by the Judge.
4. Proceed around numbers 1, 2, 3 4 & 5 and halt at Z
5. Show your horse
6. On advice from judge, leave arena.

	Judges Marks	Comments
<p style="text-align: center;">Presentation</p> Condition of coat, mane, tail and hooves (5) General body condition (5) Cleanliness & suitability of equipment (5)	/15	
<p style="text-align: center;">Confirmation</p> General Balance, freedom from faults	/10	
<p style="text-align: center;">Manners</p> Obedience & Presence	/10	
<p style="text-align: center;">Paces</p> Freedom of movement, correctness of gait	/10	
<p style="text-align: center;">Handler</p> Neatness & suitability of dress (5) Control & display of Horse (10)	/15	
<p style="text-align: center;">Total Points out of 60</p>		